

---

# POX22-LD6I-T1

## Features

- ◆ Single Fiber XG-PON ONU Transceiver
  - 1270nm burst-mode 2.48832 Gb/s transmitter with DFB laser
  - 1577nm continuous-mode 9.95328Gb/s APD/TIA receiver
- ◆ Digital diagnostic monitoring (DDM)with internal calibration
- ◆ SFP+ package with SC/UPC receptacle connector
- ◆ +3.3V separated power supply , Low power dissipation
- ◆ LVPECL interface logic level for data input
- ◆ CML interface logic level for data output
- ◆ LVTTTL for burst signal input
- ◆ LVTTTL for receiver loss of signal indication
- ◆ Compliant with ITU-T G.987.2
- ◆ SFP+ MSA SFF-8431 compliant
- ◆ SFF-8472 compliant
- ◆ Telcordia GR-468-CORE and MIL-STD-883 compliant
- ◆ RoHS-6/6 Compliant
- ◆ Operating temperature range: -40°C ~ + 85°C
- ◆ IEC 60825-1 Compliant
- ◆ FCC Part 15 Class B /EN55022 Class B (CISPR 22B)/ VCCI Class B Compliant

## Applications

- ◆ 10-Gigabit-capable passive optical networks (XG-PON) ONU

## Description

The POX22-LD6I-T1 XG-PON ONU transceiver is designed for single mode fiber and operates at wavelength of 1270nm. The transceiver module uses a DFB laser diode and fully compliant with IEC60825 and CDRH class 1 eye safety. It contains APC functions, a temperature compensation circuit to ensure compliance with ITU-T G987.2 requirements at operating temperature.

The receiver section uses a hermetic packaged APD-TIA (APD with trans-impedance amplifier) and a limiting amplifier. The APD converts optical power into electrical current and the current is transformed to voltage by the trans-impedance amplifier. The differential DATA and /DATA CML data signals are produced by the limiting amplifier. The APD-TIA is AC coupled to the limiting amplifier through a low pass filter.

## Specification

Absolute Maximum Ratings					
Parameter	Symbol	Min.	Max.	Unit	Note
Storage Ambient Temperature	T <sub>STG</sub>	-40	+85	°C	
Case Operating Temperature	T <sub>c</sub>	-40	+85	°C	
Relative Humidity	RH	5	95	%	
Input Voltage	VCC	-0.5	+4	V	
Receiver Damaged Threshold	Pin	8		dBm	

Recommended Operating Conditions						
Parameter	Symbol	Min.	Typ.	Max.	Unit	Note
Power Supply Voltage	Vcc	2.97	3.3	3.63	V	1
Power Supply Current	Icc			400	mA	
power dissipation	P <sub>w</sub>			1.4	W	2
Case Operating Temperature	Tcase	-40		85	°C	
Power Supply Noise Rejection (peak – peak)	PSNR	100			mV	

Note 1: When the Power Supply Voltage between  $3.3V \pm 5\%$ , must ensure that all modules characteristics meet the requirements; within 3~3.6V, the module should be able to work, shall not be shut off, but the characteristics are allowed a certain degree to reduce characteristics.

Note 2: Measured with upstream 2.48832G, PRBS223-1, downstream 9.95328G, PRBS231-1, 85°C.

Transmitter Optical and Electrical Characteristics						
Parameter	Symbol	Min.	Typ.	Max.	Unit	Note
Transmitter type			DFB			
Data Rate	BR		2.48832		Gb/s	
Optical Transmitter Power	P <sub>OUT</sub>	+3		+7	dBm	1
Optical Transmitter Power	P <sub>OUT</sub>	+2		+7	dBm	2
Output Center Wavelength	$\lambda_c$	1260	1270	1280	nm	
Output Spectrum Width (-20dB)	$\Delta\lambda$			1	nm	
Side Mode Suppression Ratio	SMSR	30			dB	
Output Power At Transmit Off	P <sub>OFF</sub>			-45	dBm	
Extinction Ratio	ER	9			dB	
Tolerance to Tx Back Reflection	RL			12	dB	
Transmitter Reflectance				-10	dB	
Transmitter and Dispersion penalty	TDP			0.5	dB	
Tx Enable/Disable Time				12.8	ns	4
Initial Time	Tini			800	ns	
Optical Eye Diagram		Compliant With ITU-T G.987.2				3,5
Data Input Differential Swing	V <sub>IN</sub>	200		1600	mV	6

Input Differential Impedance	Z <sub>IN</sub>		100		Ω	
TX_burst - Enable		0		0.8	V	
TX_burst - Disable		2.0		V <sub>cc</sub> +0.3	V	
Tx_Fault - Fault		2.4		VCC	V	
Tx_Fault - Normal		0		0.4	V	
Tx_SD - High		2.4		VCC	V	
Tx_SD - Low		0		0.4	V	
TX Transmitter State Indication Turn ON Time	T <sub>INDI_ON</sub>			200	ns	
TX Transmitter State Indication Turn OFF Time	T <sub>INDI_OFF</sub>			200	ns	

Note 1: Launched into 9/125um SMF,BOL.

Note 2: Launched into 9/125um SMF,EOL.

Note 3: Measured with PRBS 2<sup>23</sup>-1 @2.48832Gbit/s, and the Bessel-Thompson filter is turned on.

Note 4: Refer to Timing Parameter Definition in Burst Mode Sequence.

Note 5: Transmitter eye mask definition in ITU-T G987.2

Note 6: Compatible with AC/CML input.

Receiver Optical and Electrical Characteristics						
Parameter	Symbol	Min.	Typ.	Max.	Unit	Notes
Receiver type	APD/TIA					
Data Rate	BR		9.95328		Gb/s	
Operating Wavelength	λ <sub>c</sub>	1575	1577	1580	nm	
Receiver Sensitivity	P <sub>SEN</sub>			-29	dBm	1
Receiver Sensitivity	P <sub>SEN</sub>			-28	dBm	2
Receiver Sensitivity	P <sub>SEN</sub>			-24	dBm	3
Overload Input Optical Power	P <sub>SAT</sub>	-8			dBm	
Maximum Input Optical Power	P <sub>MAX</sub>	+8			dBm	
Loss of Signal Assert Level	P <sub>LOSA</sub>	-39			dBm	4
Loss of Signal Deassert Level	P <sub>LOSD</sub>			-29	dBm	5
LOS Hysteresis	P <sub>LOSD</sub> -P <sub>LOSA</sub>	1		5	dBm	λ=1577nm
Receiver Reflectance				-20	dB	λ=1577nm
1270nm Tx to 1577nm Rx Crosstalk				-47	dB	
Optical Isolation From External Source	ISO1	35			dB	λ =1560nm
Optical Isolation From External Source	ISO2	35			dB	λ =1600nm
Data Output Differential Swing	V <sub>OUT</sub>	340		850	mV	6
RX_LOS - Low		0		0.4	V	
RX_LOS - High		2.4		V <sub>cc</sub>	V	

Signal-Detected Assert Time	T <sub>ASS</sub>			100	us	
Signal-Detected Deassert Time	T <sub>DAS</sub>			100	us	

Note 1: P<sub>SEN</sub> Measured with a PRBS 2<sup>31</sup>-1 test pattern @9.95328Gbit/s, BER =10<sup>-3</sup>,BOL.

Note 2: P<sub>SEN</sub> Measured with a PRBS 2<sup>31</sup>-1 test pattern @9.95328Gbit/s, BER =10<sup>-3</sup>,EOL.

Note 3: P<sub>SEN</sub> Measured with a PRBS 2<sup>31</sup>-1 test pattern @9.95328Gbit/s, BER =10<sup>-12</sup>,EOL.

Note 4: L-H,A decrease in optical power below the specified level will cause the loss of signal output to switch from a low state to a high state.

Note 5: H-L, An increase in optical power above the specified level will cause the loss of signal output to switch from a high state to a low state.

Note 6: CML output, AC coupled internally, guaranteed in the full range of input optical power.

## Digital Diagnostic Memory Map

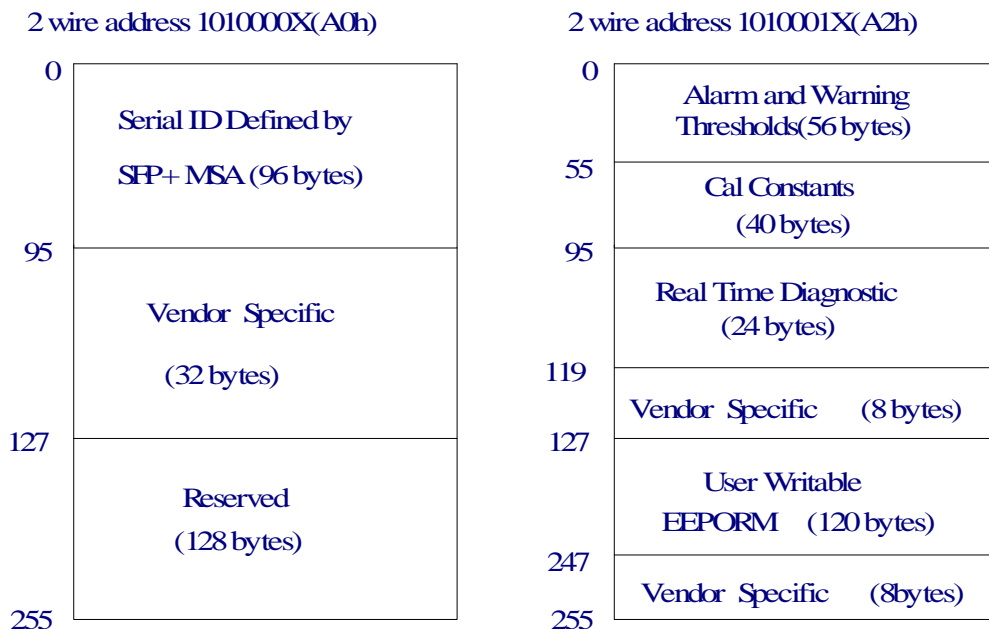


Figure1

## EEPROM Serial ID Memory Contents

The module provides digital diagnostic information of its operating conditions and status, including transmitting power, received power, laser bias current, module temperature, and supply voltage. Calibration and alarm/warning threshold data are written and stored in internal memory. The memory map is compatible with SFF-8472.

## Digital Diagnostic Monitoring Information

Parameter	Range	Resolution	Accuracy	Repeatability	Typical response time
Temperature	-45 to 90°C	0.25°C	±3°C	±1°C	1S
Voltage	2.97 to 3.63V	0.5%	±3%	±1%	1S
TX Power	0 to 8dBm	0.1dB	±2.0dB	±0.5dB	300nS
Bias Current	1 to 100mA	0.1dB	±10%	±5%	1S
RX Power	-30 to -7dBm	0.1dB	±2.0dB	±0.5dB	300nS

## Pin Description

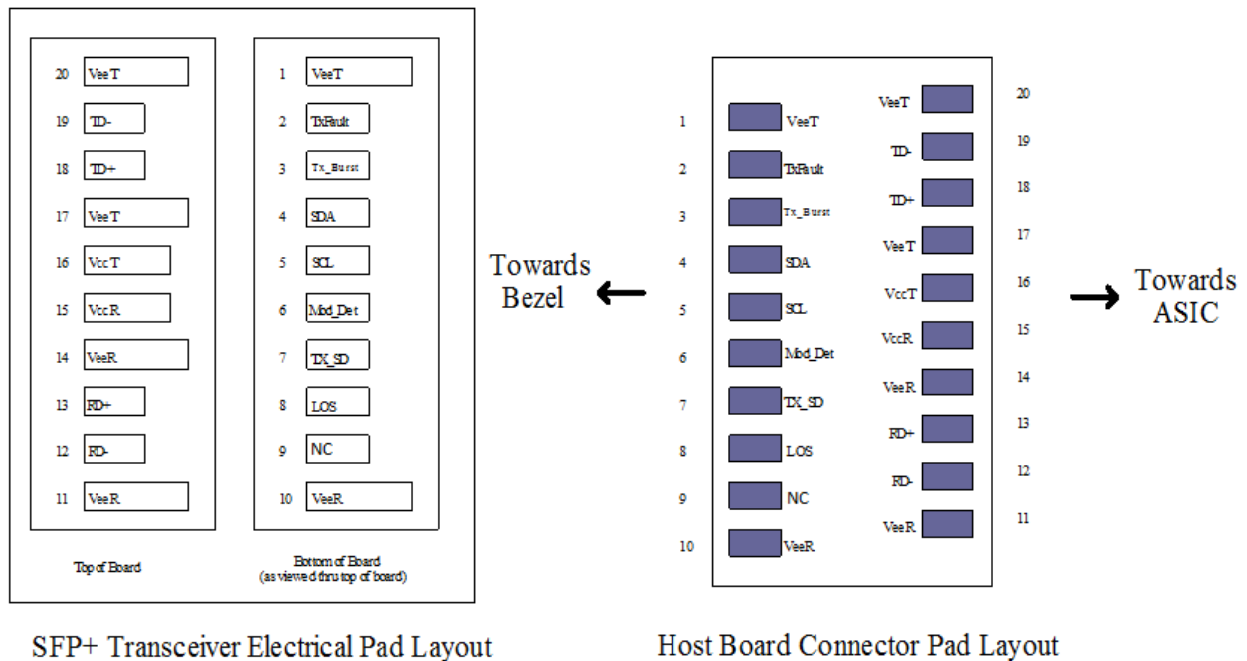


Figure2

Pin Num.	Name	Function	Note
1	VeeT	Transmitter Ground	1
2	Tx Fault	Transmitter Fault indication	2
3	Tx_Burst	Transmitter Burst control, logic "0" to burst on	3
4	SDA	Module Definition 2, SDA Serial Data Signal	4

5	SCL	Module Definition 1, SCL Serial Clock Signal	4
6	MOD_Det	Connected to the ground internal	4
7	TX_SD	Transmitter signal detect	5
8	LOS	Loss of Signal, need external 4.7k~10k pull up resistor	6
9	NC	NC	
10	VeeR	Receiver Ground	1
11	VeeR	Receiver Ground	1
12	RD-	Inv. Received Data Out, AC/CML	
13	RD+	Received Data Out, AC/CML	
14	VeeR	Receiver Ground	1
15	VccR	Receiver Power	
16	VccT	Transmitter Power	
17	VeeT	Transmitter Ground	1
18	TD+	Transmit Data In, AC/LVPECL	7
19	TD-	Inv. Transmit Data In, AC/LVPECL	7
20	VeeT	Transmitter Ground	1

Note 1: VeeR and VeeT internally connected within the PON module.

Note 2: TX Fault indicates the status of module with pull up resistor of 4.7~10 KΩ externally. When high, output indicates a laser fault of some kind. Low indicates normal operation. In the low state, the output will be pulled to < 0.4V.

Note 3: TX\_burst is an input that is used to shut down the transmitter optical output. It is pulled up within the module with a 10 KΩ resistor.

Note 4: These are the module definition pins.

SDA is serial data signal with 4.7~10 KΩ pull up resistor externally.

SCL is serial clock signal with 4.7~10 KΩ pull up resistor externally.

MOD\_Det is grounded internally and need 4.7~10 KΩ pull up resistor externally to indicate that the module is present.

Note 5: TX\_SD function monitors the state of the LD laser, when the MAC enables the module, the TX\_SD goes high within a short time.

Note 6: LOS (Loss of Signal) indicates the status of received optical power with 4.7~10 KΩ pull up resistor externally.

Note 7: TD-/+ : These are the differential transmitter inputs. They are AC-coupled, differential lines with 100Ω differential termination inside the module. The AC coupling is done inside the module and is thus not required on the host board.

## Function Description

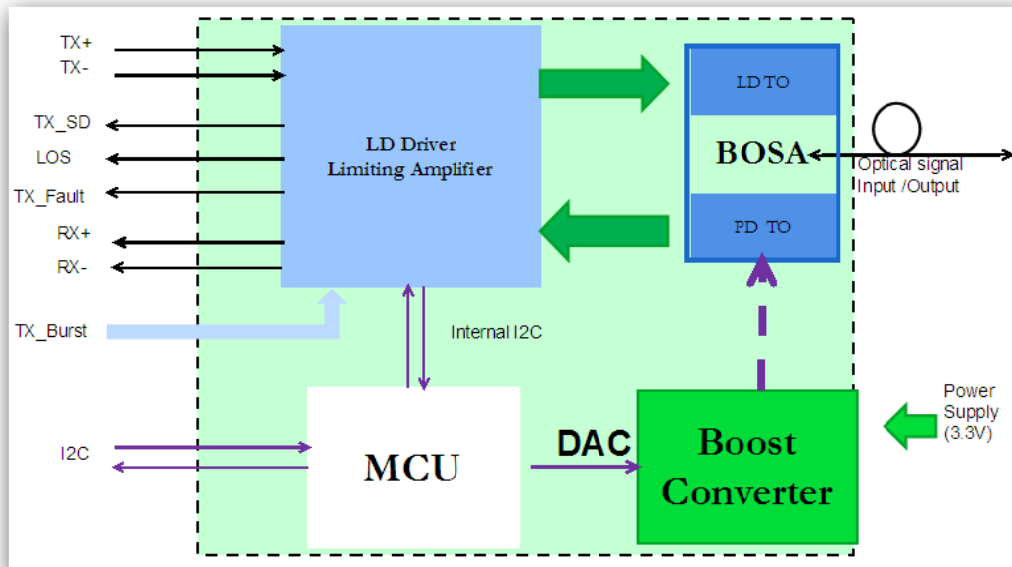


Figure3 Block diagram

The burst-mode transmitter part has a 1270nm DFB laser. It features AC-coupled differential data inputs. Tx\_Burst is a LVTTTL input for TX shut down control. Logic "1" disables the LD driver .

The 1577nm continuous-mode receiver part has a high performance photo detector. The preamplifier (TIA) and limiting amplifier amplify the incoming optical signal into the stable range and convert the signal to differential AC-coupled CML outputs. LOS is LVTTTL output, which logic "1" indicates the input power is lower than the threshold, logic "0" indicates the input power is above the threshold.

## Interface Circuit

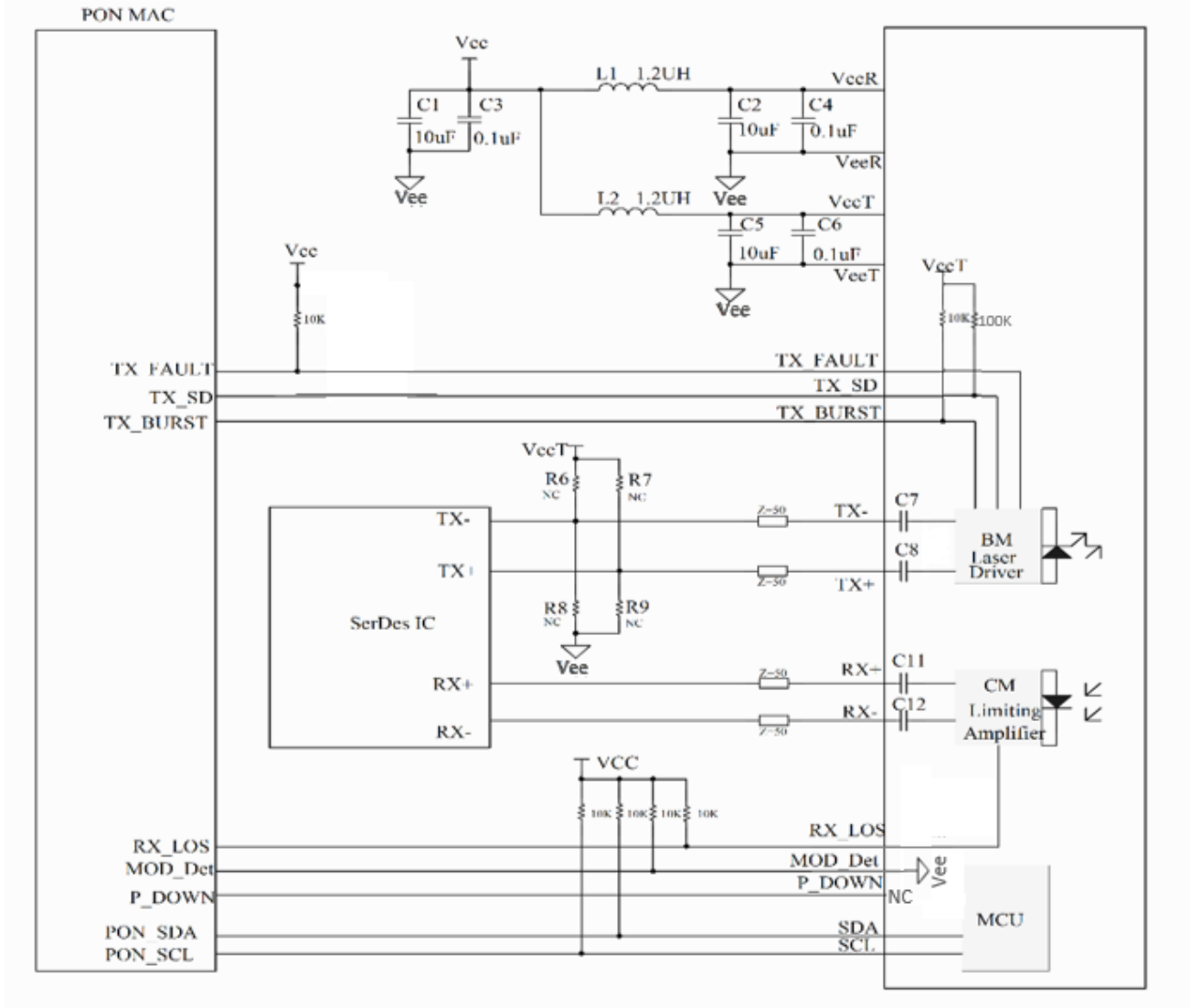


Figure4



## Burst Mode Sequence

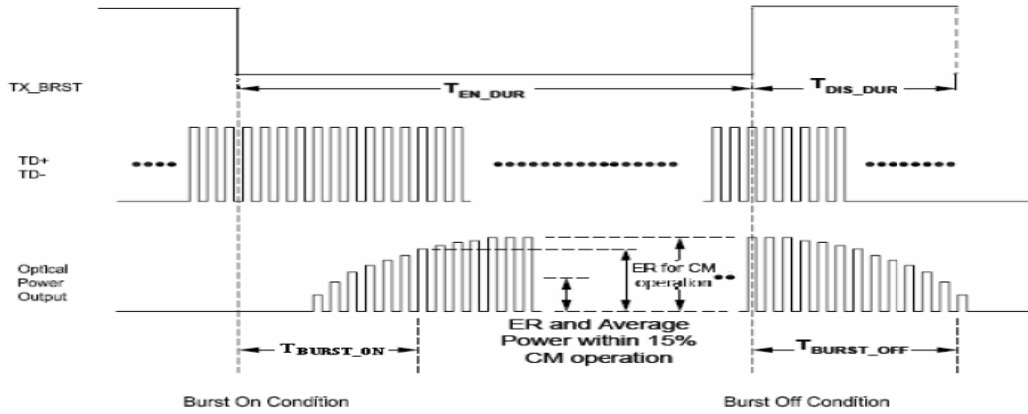


Figure5

## Package Outline

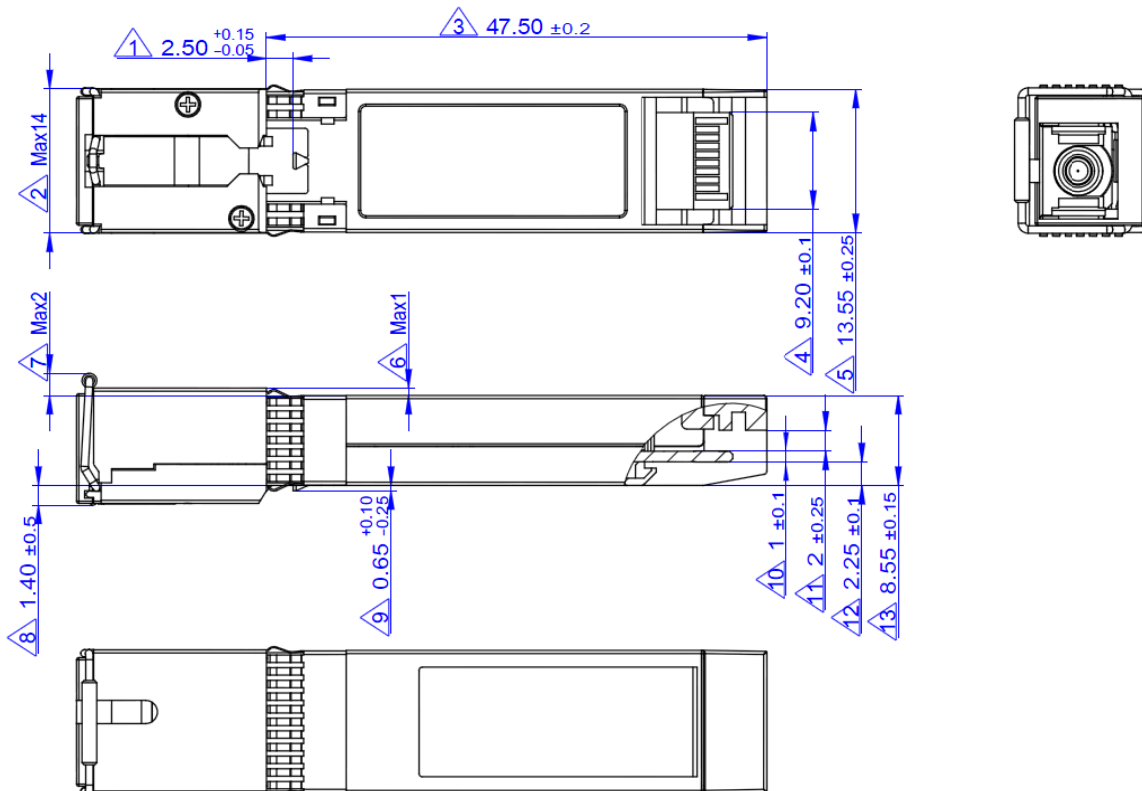


Figure6

## Ordering information

PART NO.	Specifications								
	Type	Rate Tx/Rx	Tx (nm)	Po (dBm)	Rx (nm)	Sen (dBm)	Temp (°C)	DDM	Others
POX22-LD6I-T1	SFP+	2.48832/ 9.95328G	1270 DFB	3~7	1577/ APD	<-29	-40~85	Y	SC UPC Receptacle BIDI, Low-Burst Enable